

# ALPHA

## 3470UFR100P62 bleu TFR

EAN 4031582485486

Swivel castor, housing made of pressed steel, bright zinc plated, blue passivated, double ball bearing swivel head, wheel axle with nut, dustguard, plate fitting. Wheel centre made of Polyamide, Tread: elastic-tyre, non-marking, roller bearing



BETTER MOBILITY. BETTER LIFE.



Picture may differ from original product

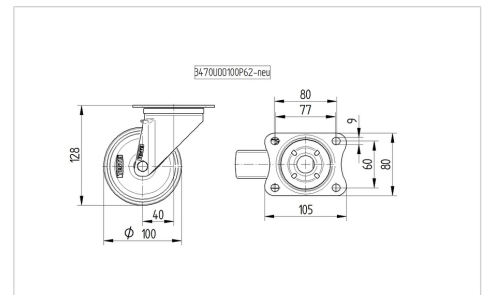
### Technical Data

Wheel diameter	100 mm
Wheel width	34 mm
Size of Plate	105 x 80 mm
Plate hole centres	80/77 x 60 mm
Plate hole	9 mm
Offset	41 mm
Swivel Interference	180 mm
Overall height	128 mm
Temperature	- 20 / + 80 °C
Standard	EN_12532
Weight	0.858 kg
Swivel Radius	90 mm
Hardness of tread	Shore A 64
Load capacity	160 kg
Load capacity (static)	320 kg

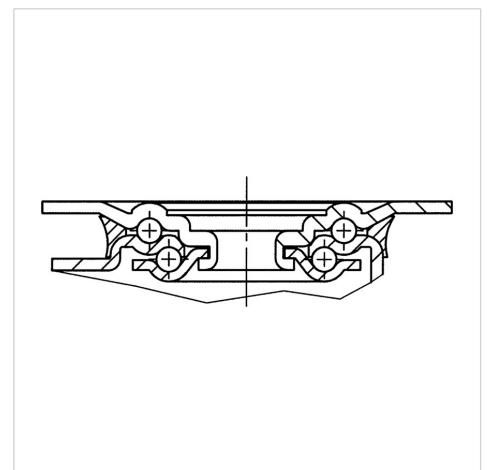
### Advantages at a glance

Roll performance	● ● ● ○ ○
Movement noise	● ● ● ● ●
Attrition	● ● ● ○ ○
Corrosion resistance	● ● ● ○ ○

### Dimensions



### Structure & Mounting



# ALPHA

3470UFR100P62 bleu TFR

EAN 4031582485486



BETTER MOBILITY. BETTER LIFE.

## Structure & Mounting

---

