

ALPHA

3478PVO160P63

EAN 4031582306750

Fixed castor, Fork made of pressed steel, bright zinc plated, blue passivated, wheel axle with nut, plate fitting.
Wheel centre made of Polypropylene, Tread: solid rubber, black, plain bearing



BETTER MOBILITY. BETTER LIFE.

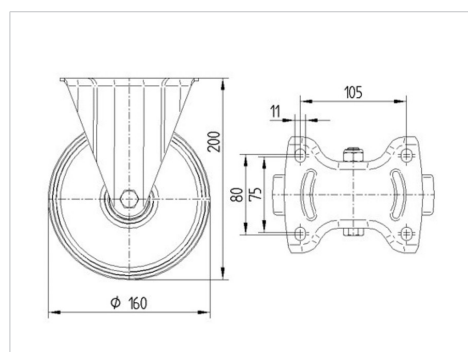


Picture may differ from original product

Technical Data

Wheel diameter	160 mm
Wheel width	40 mm
Castor width	115 mm
Size of Plate	137 x 115 mm
Plate hole centres	105 x 80/75 mm
Plate hole	11 mm
Overall height	200 mm
Temperature	- 20 / + 60 °C
Standard	EN_12532
Weight	1.626 kg
Hardness of tread	Shore A 80
Load capacity	135 kg
Load capacity (static)	270 kg

Dimensions



Advantages at a glance

Roll performance	● ● ○ ○ ○
Movement noise	● ● ● ○ ○
Attrition	● ● ○ ○ ○
Corrosion resistance	● ● ● ○ ○

ALPHA

3478PVO160P63

EAN 4031582306750



BETTER MOBILITY. BETTER LIFE.

Structure & Mounting

