

# STYLEA

## 5920PJI040L51-10 LOW

EAN 4031582359855

Swivel castor, housing made of Polyamide, with blind hole fitting. Wheel centre made of Polypropylene, Tread: TENTEprene (thermoplastic rubber), grey non-marking, plain bearing



BETTER MOBILITY. BETTER LIFE.



Picture may differ from original product

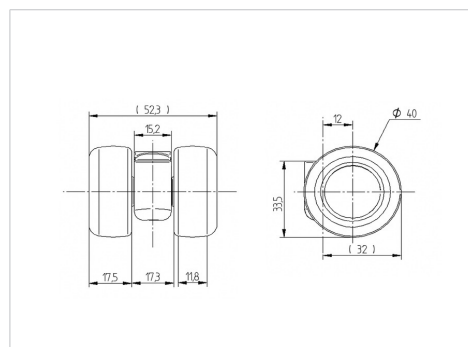
### Technical Data

Wheel diameter	40 mm
Wheel width	12 mm
Castor width	52 mm
Centre hole	10 mm
Dome-Ø	15.2 mm
Offset	12 mm
Swivel Interference	74 mm
Overall height	35 mm
Temperature	- 20 / + 60 °C
Standard	EN_12528
Weight	0.049 kg
Swivel Radius	37 mm
Hardness of tread	Shore A 87
Load capacity	40 kg
Load capacity (static)	80 kg

### Advantages at a glance

Roll performance	● ● ● ○ ○
Movement noise	● ● ● ○ ○
Attrition	● ● ● ● ●
Corrosion resistance	● ● ● ● ○

### Dimensions



### Structure & Mounting

