

DELTA

3641UAP160P63

EAN 4031582396553

Swivel castor with directional lock, housing made of heavy pressed steel, bright zinc plated, blue passivated, precision ball bearing swivel head, sealed, wheel axle with nut, plate fitting. Wheel centre made of Polyamide, Tread: Polyurethane, precision ball bearing



BETTER MOBILITY. BETTER LIFE.



Picture may differ from original product

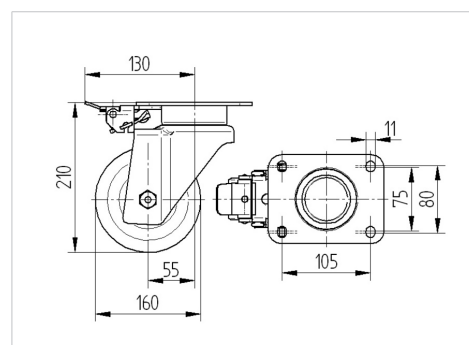
Technical Data

Wheel diameter	160 mm
Wheel width	40 mm
Size of Plate	137 x 105 mm
Plate hole centres	105 x 80/75 mm
Plate hole	11 mm
Offset	55 mm
Swivel Interference	270 mm
Overall height	210 mm
Temperature	- 40 / + 80 °C
Standard	EN_12532
Swivel Radius	135 mm
Hardness of tread	Shore A 92
Load capacity	350 kg
Load capacity (static)	700 kg

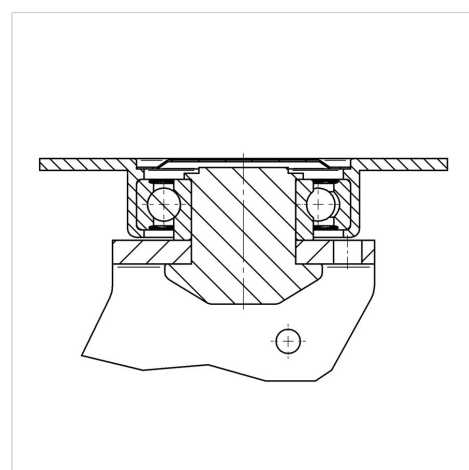
Advantages at a glance

Roll performance	● ● ● ○ ○
Movement noise	● ● ● ○ ○
Attrition	● ● ● ○ ○
Corrosion resistance	● ● ● ○ ○

Dimensions



Structure & Mounting



DELTA

3641UAP160P63

EAN 4031582396553



BETTER MOBILITY. BETTER LIFE.

Structure & Mounting

