

# ALPHA

3478HUR125P62 black TFR

EAN 4031582400069

Fixed castor, Fork made of pressed steel, bright zinc plated, blue passivated, wheel axle with nut, plate fitting.  
Hybrid-wheel "Duratech silent", wheel centre and tread made of Polyamide, with elastic solid rubber centre, noise reduced, roller bearing



BETTER MOBILITY. BETTER LIFE.

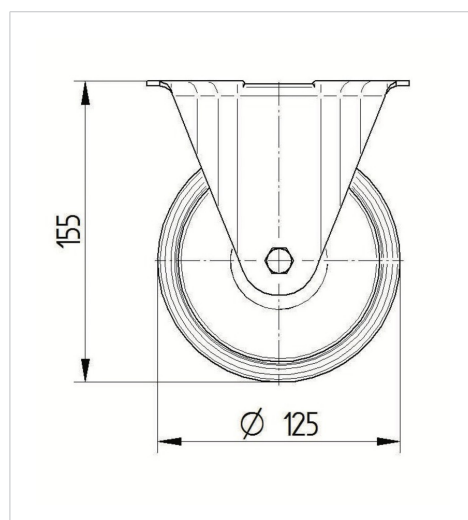


Picture may differ from original product

## Technical Data

Wheel diameter	125 mm
Wheel width	36 mm
Size of Plate	103 x 85 mm
Plate hole centres	80/77 x 60 mm
Plate hole	9 mm
Overall height	155 mm
Temperature	- 20 / + 60 °C
Standard	EN_12532
Weight	0.968 kg
Hardness of tread	Shore D 75
Load capacity	200 kg
Load capacity (static)	400 kg

## Dimensions



## Advantages at a glance

Roll performance	● ● ● ○ ○
Movement noise	● ● ● ● ●
Attrition	● ● ● ○ ○
Corrosion resistance	● ● ● ○ ○

# ALPHA

3478HUR125P62 black TFR

EAN 4031582400069



BETTER MOBILITY. BETTER LIFE.

## Structure & Mounting

