

SCOUT

8148UAC200P60 smart

EAN 4031582429879

Fixed castor, stainless steel housing, plate fitting
Fixed castor, Housing made of stainless steel, plate fitting. Wheel centre made of polyamide, tread made of polyurethane, two INOX precision ball bearings, sealed, washable



BETTER MOBILITY. BETTER LIFE.

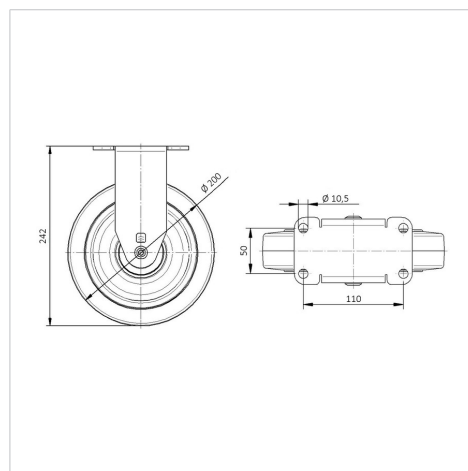


Picture may differ from original product

Technical Data

Wheel diameter	200 mm
Wheel width	40 mm
Castor width	74 mm
Size of Plate	130 x 74 mm
Plate hole centres	110 x 50 mm
Plate hole	10,5 mm
Dome-Ø	68 mm
Offset	54 mm
Overall height	242 mm
Temperature	- 40 / + 80 °C
Standard	similar_EN12532
Weight	1.98 kg
Hardness of tread	Shore A 92
Load capacity	150 kg
Load capacity (static)	300 kg

Dimensions



Advantages at a glance

Roll performance	● ● ● ● ●
Movement noise	● ● ● ○ ○
Attrition	● ● ● ● ●
Corrosion resistance	● ● ● ● ●

SCOUT

8148UAC200P60 smart

EAN 4031582429879



BETTER MOBILITY. BETTER LIFE.

Structure & Mounting

