

LUMINA

A520PJI050B10-11x20 DOM38

EAN 4031582317145

Swivel castor, housing made of Polypropylene, stem with circlip. Wheel centre made of Polypropylene, Tread: TENTEprene (thermoplastic rubber), grey non-marking, plain bearing



BETTER MOBILITY. BETTER LIFE.

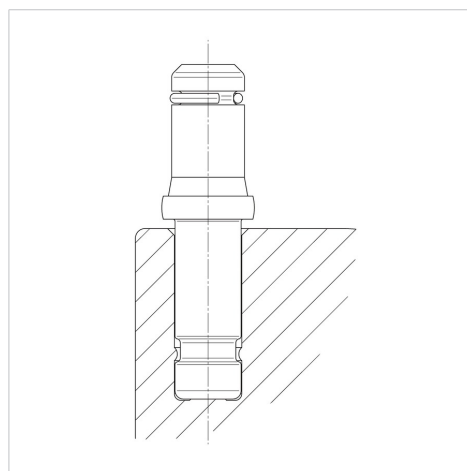


Picture may differ from original product

Technical Data

| | |
|-------------------------|----------------|
| Wheel diameter | 50 mm |
| Wheel width | 8 mm |
| Castor width | 54 mm |
| Metal stem with circlip | 11 x 20 mm |
| Dome-Ø | 38 mm |
| Offset | 20 mm |
| Swivel Interference | 104 mm |
| Overall height | 61 mm |
| Temperature | - 20 / + 60 °C |
| Standard | EN12529 |
| Weight | 0.104 kg |
| Swivel Radius | 52 mm |
| Hardness of tread | Shore A 87 |
| Load capacity | 40 kg |
| Load capacity (static) | 80 kg |

Structure & Mounting



Advantages at a glance

| | |
|----------------------|-----------|
| Roll performance | ● ● ● ○ ○ |
| Movement noise | ● ● ● ○ ○ |
| Attrition | ● ● ● ○ ○ |
| Corrosion resistance | ● ● ● ○ ○ |