

DELTA

3641ITP160P63 Flat

EAN 4031582337457

Swivel castor with directional lock, housing made of heavy pressed steel, bright zinc plated, blue passivated, precision ball bearing swivel head, sealed, wheel axle with nut, plate fitting. Wheel centre made of Aluminium, Tread: Polyurethane, casted, precision ball bearing



BETTER MOBILITY. BETTER LIFE.

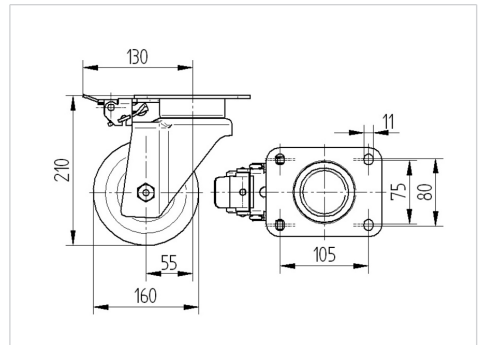


Picture may differ from original product

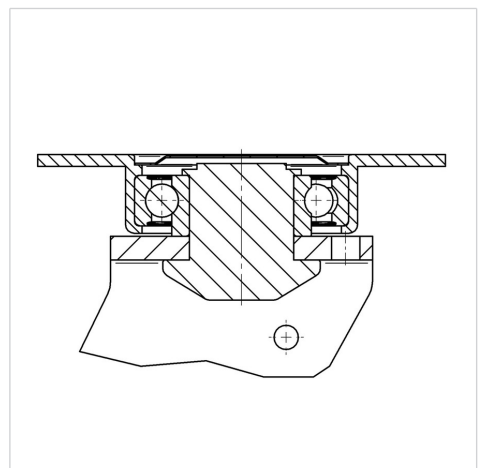
Technical Data

| | |
|------------------------|----------------|
| Wheel diameter | 160 mm |
| Wheel width | 50 mm |
| Castor width | 94 mm |
| Size of Plate | 137 x 105 mm |
| Plate hole centres | 105 x 80/75 mm |
| Plate hole | 11 mm |
| Dome-Ø | 94 mm |
| Offset | 55 mm |
| Swivel Interference | 270 mm |
| Overall height | 210 mm |
| Temperature | - 10 / + 60 °C |
| Standard | EN_12532 |
| Weight | 3.318 kg |
| Swivel Radius | 135 mm |
| Hardness of tread | Shore A 92 |
| Load capacity | 600 kg |
| Load capacity (static) | 1200 kg |

Dimensions



Structure & Mounting



Advantages at a glance

| | |
|----------------------|-----------|
| Roll performance | ● ● ● ○ ○ |
| Movement noise | ● ● ● ○ ○ |
| Attrition | ● ● ● ● ○ |
| Corrosion resistance | ● ● ● ○ ○ |

DELTA

3641ITP160P63 Flat

EAN 4031582337457



BETTER MOBILITY. BETTER LIFE.

Structure & Mounting

