

# ELASTECH

IEP100x40-Ø8 HL45

EAN 4031582319668

Wheel centre made of Aluminium, Tread: black elastic-tyre, vulcanized, precision ball bearing



BETTER MOBILITY. BETTER LIFE.

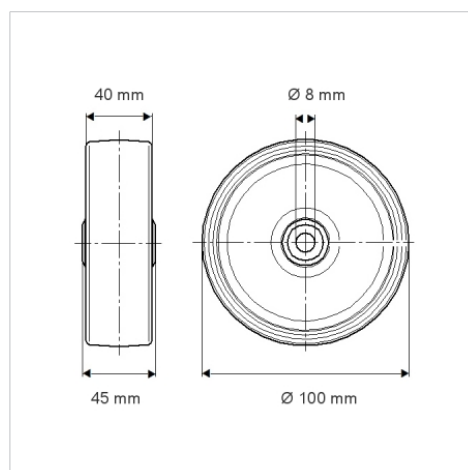


Picture may differ from original product

## Technical Data

Wheel diameter	100 mm
Wheel width	40 mm
Axle Hole-Ø	8 mm
Hub length	45 mm
Temperature	- 20 / + 85 °C
Standard	EN_12532
Weight	0.51 kg
Hardness of tread	Shore A 68
Load capacity	200 kg
Load capacity (static)	400 kg

## Dimensions



## Advantages at a glance

Roll performance	● ● ● ○ ○
Movement noise	● ● ● ○ ○
Attrition	● ● ● ○ ○
Corrosion resistance	● ● ● ○ ○

## Structure & Mounting

