

LUMINA

A520UOI035L51-8

EAN 4031582317206

Swivel castor, housing made of Polypropylene, with blind hole fitting.
Wheel centre made of Polyamide, plain bearing



BETTER MOBILITY. BETTER LIFE.

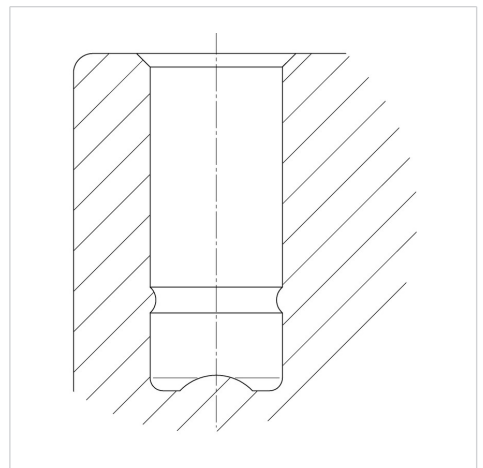


Picture may differ from original product

Technical Data

| | |
|------------------------|----------------|
| Wheel diameter | 35 mm |
| Wheel width | 6 mm |
| Castor width | 38 mm |
| Centre hole | 8 mm |
| Offset | 9 mm |
| Swivel Interference | 66 mm |
| Overall height | 39 mm |
| Temperature | - 20 / + 60 °C |
| Standard | EN_12528 |
| Weight | 0.02 kg |
| Swivel Radius | 33 mm |
| Hardness of tread | Shore D 65 |
| Load capacity | 20 kg |
| Load capacity (static) | 40 kg |

Structure & Mounting



Advantages at a glance

| | |
|----------------------|-----------|
| Roll performance | ● ● ● ○ ○ |
| Movement noise | ● ● ● ○ ○ |
| Attrition | ● ● ● ○ ○ |
| Corrosion resistance | ● ● ● ○ ○ |