

# GALEA

5077PJP100P60-90x70

EAN 4031582367898

Swivel castor with total lock, tail end of castor, housing made of Polyamide, double ball bearing swivel head, plate fitting. Wheel centre made of Polypropylene, Tread: TENTEprene (thermoplastic rubber), grey non-marking, precision ball bearing, with threadguards  
Hint: These castors are also with grey locking lever available.



BETTER MOBILITY. BETTER LIFE.

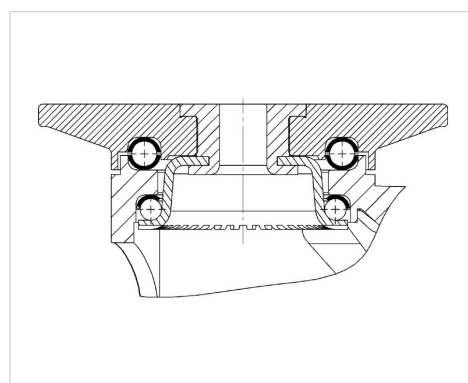


Picture may differ from original product

## Technical Data

Wheel diameter	100 mm
Wheel width	30 mm
Size of Plate	90 x 70 mm
Plate hole centres	70/60 x 55/50 mm
Plate hole	8 mm
Offset	40 mm
Swivel Interference	205 mm
Overall height	138 mm
Temperature	-20 / +60 °C
Standard	EN_12530
Weight	0.496 kg
Hardness of tread	Shore A 87
Load capacity	100 kg
Load capacity (static)	200 kg

## Structure & Mounting



## Advantages at a glance

Roll performance	● ● ● ○ ○
Movement noise	● ● ● ○ ○
Attrition	● ● ● ○ ○
Corrosion resistance	● ● ● ● ○