

ALPHA

3470UFR100P62 blue

EAN 4031582304411

Swivel castor, housing made of pressed steel, bright zinc plated, blue passivated, double ball bearing swivel head, wheel axle with nut, dustguard, plate fitting. Wheel centre made of Polyamide, Tread: elastic-tyre, non-marking, roller bearing



BETTER MOBILITY. BETTER LIFE.

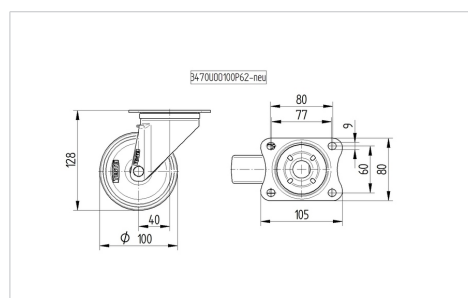


Picture may differ from original product

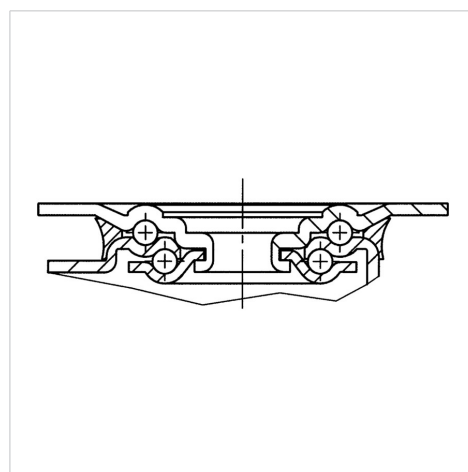
Technical Data

| | |
|------------------------|----------------|
| Wheel diameter | 100 mm |
| Wheel width | 34 mm |
| Castor width | 75 mm |
| Size of Plate | 105 x 80 mm |
| Plate hole centres | 80/77 x 60 mm |
| Plate hole | 9 mm |
| Dome-Ø | 75 mm |
| Offset | 40 mm |
| Swivel Interference | 180 mm |
| Overall height | 128 mm |
| Temperature | - 20 / + 80 °C |
| Standard | EN_12532 |
| Weight | 0.81 kg |
| Swivel Radius | 90 mm |
| Hardness of tread | Shore A 63 |
| Load capacity | 160 kg |
| Load capacity (static) | 320 kg |

Dimensions



Structure & Mounting



Advantages at a glance

| | |
|----------------------|-----------|
| Roll performance | ● ● ● ○ ○ |
| Movement noise | ● ● ● ● ● |
| Attrition | ● ● ● ○ ○ |
| Corrosion resistance | ● ● ● ○ ○ |

ALPHA

3470UFR100P62 blue

EAN 4031582304411



BETTER MOBILITY. BETTER LIFE.

Structure & Mounting

