

LUMINA

AA20POI050B10-11x20

EAN 4031582317503

Swivel castor, housing made of Polypropylene, stem with circlip. Wheel centre made of Polypropylene, plain bearing



BETTER MOBILITY. BETTER LIFE.

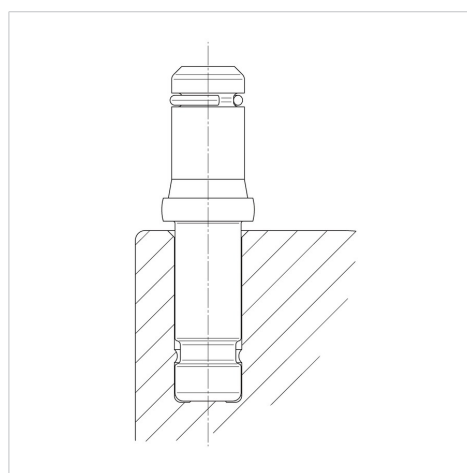


Picture may differ from original product

Technical Data

Wheel diameter	50 mm
Wheel width	7 mm
Castor width	55 mm
Metal stem with circlip	11 x 20 mm
Offset	20 mm
Swivel Interference	104 mm
Overall height	56 mm
Temperature	- 20 / + 60 °C
Standard	EN_12528
Weight	0.105 kg
Swivel Radius	52 mm
Hardness of tread	Shore D 65
Load capacity	40 kg
Load capacity (static)	80 kg

Structure & Mounting



Advantages at a glance

Roll performance	● ● ● ○ ○
Movement noise	● ● ● ○ ○
Attrition	● ● ● ○ ○
Corrosion resistance	● ● ● ○ ○