

# ALPHA

## 3478UFR100P62 blue

EAN 4031582306958

Fixed castor, Fork made of pressed steel, bright zinc plated, blue passivated, wheel axle with nut, plate fitting.  
Wheel centre made of Polyamide, Tread: elastic-tyre, non-marking, roller bearing



BETTER MOBILITY. BETTER LIFE.

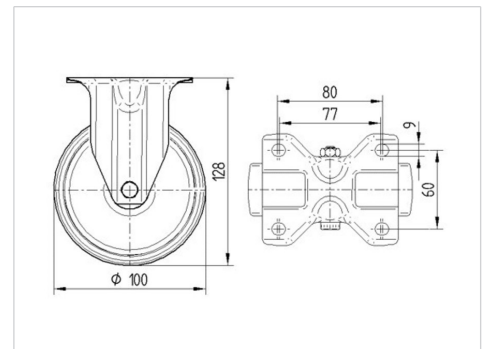


Picture may differ from original product

### Technical Data

Wheel diameter	100 mm
Wheel width	34 mm
Castor width	85 mm
Size of Plate	103 x 85 mm
Plate hole centres	80/77 x 60 mm
Plate hole	9 mm
Overall height	128 mm
Temperature	- 20 / + 80 °C
Standard	EN_12532
Weight	0.485 kg
Hardness of tread	Shore A 63
Load capacity	160 kg
Load capacity (static)	320 kg

### Dimensions



### Advantages at a glance

Roll performance	● ● ● ○ ○
Movement noise	● ● ● ● ●
Attrition	● ● ● ○ ○
Corrosion resistance	● ● ● ○ ○

# ALPHA

3478UFR100P62 blue

EAN 4031582306958



BETTER MOBILITY. BETTER LIFE.

## Structure & Mounting

