

DURATECH

TOP080x60-Ø25 HL60

EAN 4031582331011

Wheel centre made of Polyamide, heavy duty, precision ball bearing
Load capacities on a smooth, even surface.



BETTER MOBILITY. BETTER LIFE.

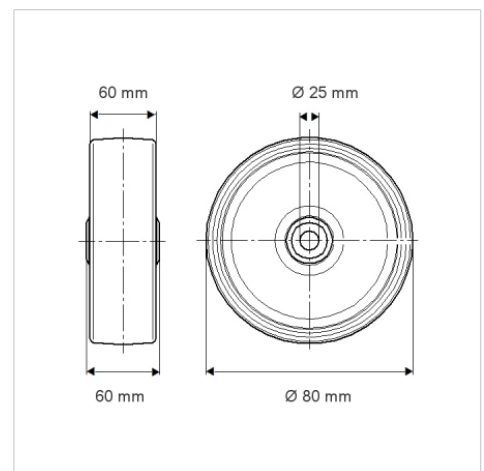


Picture may differ from original product

Technical Data

| | |
|------------------------|----------------|
| Wheel diameter | 80 mm |
| Wheel width | 60 mm |
| Axle Hole-Ø | 25 mm |
| Hub length | 60 mm |
| Temperature | - 40 / + 80 °C |
| Standard | EN_12533 |
| Weight | 0.441 kg |
| Hardness of tread | Shore D 75 |
| Bearing type | 6005 No. |
| Load capacity | 600 kg |
| Load capacity (static) | 1200 kg |

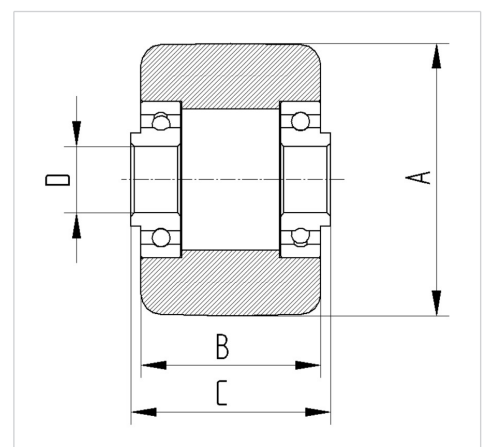
Dimensions



Advantages at a glance

| | |
|----------------------|-----------|
| Roll performance | ● ● ● ● ● |
| Movement noise | ● ● ● ○ ○ |
| Attrition | ● ● ● ● ● |
| Corrosion resistance | ● ● ● ○ ○ |

Structure & Mounting



DURATECH

TOP080x60-Ø25 HL60

EAN 4031582331011



BETTER MOBILITY. BETTER LIFE.

Structure & Mounting

