

SCOUT

814SUFC200P60 180° smart

EAN 4031582429916

Swivel castor, stainless steel housing and automatic directional stability, precision ball bearing in swivel bearing with long-term grease, swivel bearing with dust protection and grease nipple, plate fitting, prepared for optional directional lock Swivel castor with automatic directional stability, plate fitting. Wheel centre made of polyamide, tread made of a non-marking elastic tyre, with small thread guard, two INOX precision ball bearings, sealed, washable



BETTER MOBILITY. BETTER LIFE.

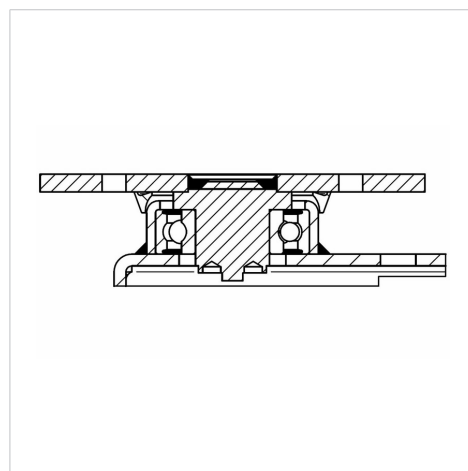


Picture may differ from original product

Technical Data

Wheel diameter	200 mm
Wheel width	40 mm
Castor width	72 mm
Size of Plate	130 x 74 mm
Plate hole centres	110 x 50 mm
Plate hole	10,5 mm
Offset	50 mm
Swivel Interference	300 mm
Overall height	242 mm
Temperature	-20 / +80 °C
Weight	2.912 kg
Swivel Radius	150 mm
Hardness of tread	Shore A 64
Load capacity	150 kg

Structure & Mounting



Advantages at a glance

Roll performance	● ● ● ○ ○
Movement noise	● ● ● ● ●
Attrition	● ● ● ○ ○
Corrosion resistance	● ● ● ○ ○

SCOUT

814SUFC200P60 180° smart

EAN 4031582429916



BETTER MOBILITY. BETTER LIFE.

Structure & Mounting

