

MONO

5025PJH080B11-10x33 RAL9011

EAN 4031582308433

Swivel castor with wheel brake, housing made of Polyamide, stem with circlip. Wheel centre made of Polypropylene, Tread: TENTEprene (thermoplastic rubber), grey non-marking, with threadguards, plain bearing



BETTER MOBILITY. BETTER LIFE.

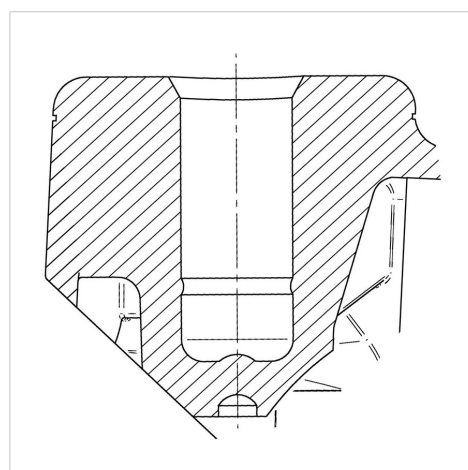


Picture may differ from original product

Technical Data

Wheel diameter	80 mm
Wheel width	24 mm
Centre hole	10 mm
Offset	34 mm
Swivel Interference	210 mm
Overall height	104 mm
Temperature	- 20 / + 60 °C
Standard	EN_12528
Weight	0.16 kg
Swivel Radius	105 mm
Hardness of tread	Shore A 90
Load capacity	70 kg
Load capacity (static)	140 kg

Structure & Mounting



Advantages at a glance

Roll performance	● ● ● ○ ○
Movement noise	● ● ● ○ ○
Attrition	● ● ● ○ ○
Corrosion resistance	● ● ● ● ○