

AGILA

2470PJP100P30-11

EAN 4031582010473

Swivel castor, housing made of pressed steel, bright zinc plated, blue passivated, double ball bearing swivel head, wheel axle with nut, bolt hole. Wheel centre made of Polypropylene, Tread: TENTEprene (thermoplastic rubber), grey non-marking, precision ball bearing, with threadguards Castors can be mounted with standard screws of any length.



BETTER MOBILITY. BETTER LIFE.



Picture may differ from original product

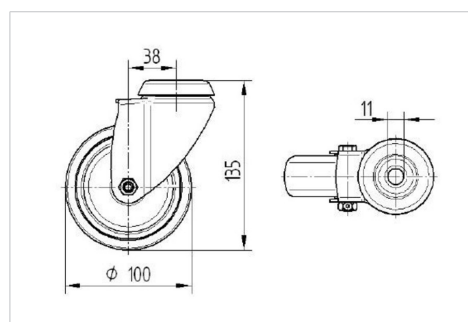
Technical Data

Wheel diameter	100 mm
Wheel width	32 mm
Castor width	60 mm
Centre hole	11 mm
Dome-Ø	60 mm
Offset	38 mm
Swivel Interference	176 mm
Overall height	135 mm
Temperature	- 20 / + 60 °C
Standard	EN_12530
Weight	0.581 kg
Swivel Radius	88 mm
Hardness of tread	Shore A 87
Load capacity	100 kg
Load capacity (static)	200 kg

Advantages at a glance

Roll performance	● ● ● ○ ○
Movement noise	● ● ● ○ ○
Attrition	● ● ● ○ ○
Corrosion resistance	● ● ● ○ ○

Dimensions



Structure & Mounting

