

# STORA

## 2875ZHP125P30-11 RIGHT

EAN 4031582365351

, housing made of pressed steel, bright zinc plated, blue passivated, double ball bearing swivel head, wheel axle with nut.

Designed for the following palletsize: track width: approx: 2,75 mm, groove width: approx. 5,7 mm, groove depth: > 10 mm.



BETTER MOBILITY. BETTER LIFE.

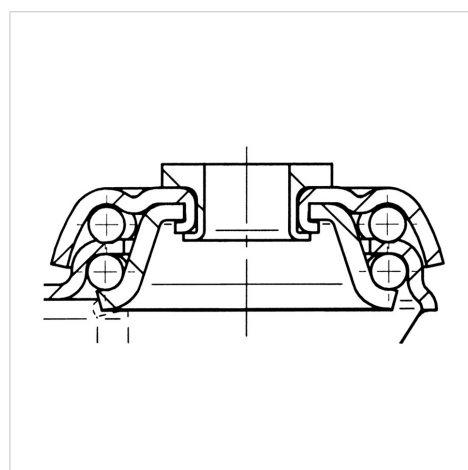


Picture may differ from original product

### Technical Data

Wheel diameter	125 mm
Wheel width	32 mm
Centre hole	11 mm
Offset	40 mm
Swivel Interference	205 mm
Overall height	153 mm
Temperature	- 20 / + 60 °C
Standard	EN_12530
Weight	0.889 kg
Swivel Radius	102.5 mm
Load capacity	100 kg
Load capacity (static)	200 kg

### Structure & Mounting



### Advantages at a glance

Roll performance	● ● ● ○ ○
Movement noise	● ● ● ○ ○
Attrition	● ● ● ● ○
Corrosion resistance	● ● ● ○ ○

# STORA

2875ZHP125P30-11 RIGHT

EAN 4031582365351



BETTER MOBILITY. BETTER LIFE.

## Structure & Mounting

---

