

SCOUT

814SUFC160P63 180°

EAN 4031582428919

Swivel castor, stainless steel housing and automatic directional stability, precision ball bearing in swivel bearing with long-term grease, swivel bearing with dust protection and grease nipple, plate fitting, prepared for optional directional lock. Swivel castor with automatic directional stability, plate fitting. Wheel centre made of polyamide, tread made of a non-marking elastic tyre, with small thread guard, two INOX precision ball bearings, sealed, washable



BETTER MOBILITY. BETTER LIFE.

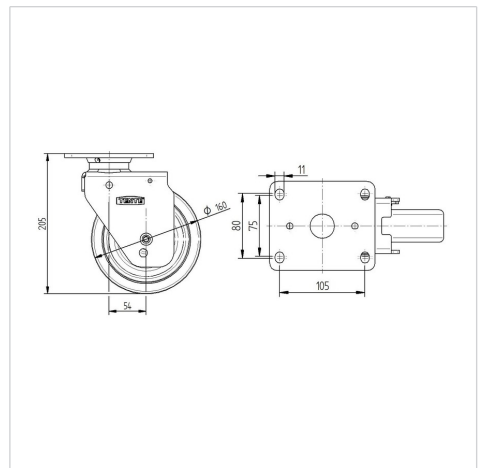


Picture may differ from original product

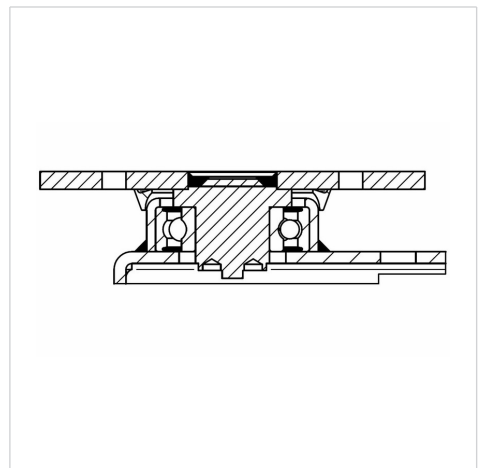
Technical Data

Wheel diameter	160 mm
Wheel width	40 mm
Castor width	74 mm
Size of Plate	130 x 110 mm
Plate hole centres	105 x 75/80 mm
Plate hole	11 mm
Offset	54 mm
Swivel Interference	268 mm
Overall height	205 mm
Temperature	-40 / +80 °C
Weight	3.173 kg
Swivel Radius	134 mm
Hardness of tread	Shore A 64
Load capacity	250 kg

Dimensions



Structure & Mounting



Advantages at a glance

Roll performance	● ● ● ● ○
Movement noise	● ● ● ● ●
Attrition	● ● ● ○ ○
Corrosion resistance	● ● ● ● ●

SCOUT

814SUFC160P63 180°

EAN 4031582428919



BETTER MOBILITY. BETTER LIFE.

Structure & Mounting

