

# SMILES

## 5525PJI050L51-10 COW White

EAN 4031582338393

Swivel castor with wheel brake, housing made of Polyamide, with blind hole fitting. Wheel centre made of Polypropylene, Tread: TENTEprene (thermoplastic rubber), grey non-marking, plain bearing



BETTER MOBILITY. BETTER LIFE.



Picture may differ from original product

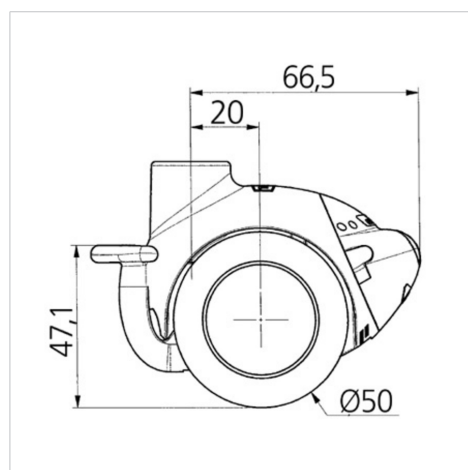
### Technical Data

Wheel diameter	50 mm
Wheel width	10 mm
Castor width	55 mm
Centre hole	10 mm
Dome-Ø	23 mm
Offset	20 mm
Swivel Interference	140 mm
Overall height	71.5 mm
Temperature	- 20 / + 60 °C
Standard	EN_12528
Weight	0.112 kg
Swivel Radius	70 mm
Hardness of tread	Shore A 90
Load capacity	40 kg
Load capacity (static)	80 kg

### Advantages at a glance

Roll performance	● ● ● ○ ○
Movement noise	● ● ● ○ ○
Attrition	● ● ● ○ ○
Corrosion resistance	● ● ● ● ○

### Dimensions



### Structure & Mounting



# SMILES

5525PJI050L51-10 COW White

EAN 4031582338393



BETTER MOBILITY. BETTER LIFE.

## Structure & Mounting

---



reddot design award  
winner