

LEVINA

5370PJP100R05-22x45

EAN 4031582355284

Swivel castor, housing and wheels made from high grade synthetic materials, double ball bearing swivel head, solid plug fitting. Wheel centre made of Polypropylene, Tread: TENTEprene (thermoplastic rubber), grey non-marking, precision ball bearing



BETTER MOBILITY. BETTER LIFE.



Picture may differ from original product

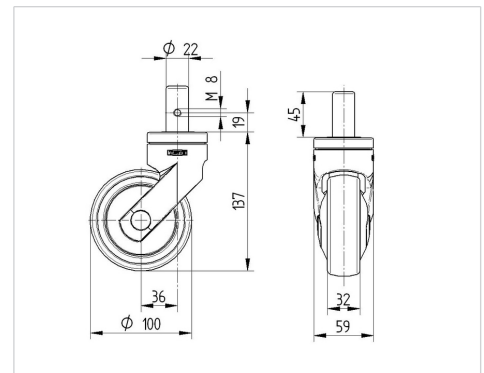
Technical Data

Wheel diameter	100 mm
Wheel width	32 mm
Castor width	59 mm
Bolt-Ø	22 mm
Bolt length	45 mm
Dome-Ø	59 mm
Offset	36 mm
Swivel Interference	172 mm
Overall height	137 mm
Temperature	- 10 / + 40 °C
Standard	EN_12530
Weight	0.581 kg
Swivel Radius	86 mm
Hardness of tread	Shore A 87
Load capacity	100 kg
Load capacity (static)	200 kg

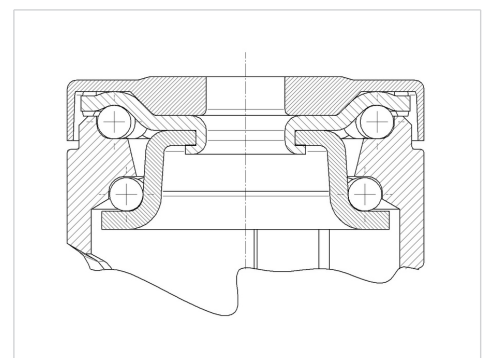
Advantages at a glance

Roll performance	● ● ● ○ ○
Movement noise	● ● ● ● ○
Attrition	● ● ● ○ ○
Corrosion resistance	● ● ● ● ○

Dimensions



Structure & Mounting



PRODUCT INFORMATION

LEVINA

5370PJP100R05-22x45

EAN 4031582355284



BETTER MOBILITY. BETTER LIFE.

Structure & Mounting

