

SUPRATECH

PJP100x32-Ø8

EAN 4031582070255

Wheel centre made of Polypropylene, Tread: TENTEprene (thermoplastic rubber), grey non-marking, precision ball bearing, with threadguards



BETTER MOBILITY. BETTER LIFE.

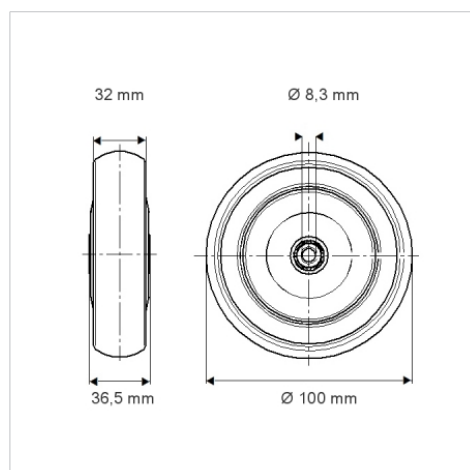


Picture may differ from original product

Technical Data

| | |
|------------------------|----------------|
| Wheel diameter | 100 mm |
| Wheel width | 32 mm |
| Axle Hole-Ø | 8.3 mm |
| Hub length | 36.5 mm |
| Temperature | - 20 / + 60 °C |
| Standard | EN_12530 |
| Weight | 0.194 kg |
| Hardness of tread | Shore A 87 |
| Load capacity | 100 kg |
| Load capacity (static) | 200 kg |

Dimensions



Advantages at a glance

| | |
|----------------------|-----------|
| Roll performance | ● ● ● ○ ○ |
| Movement noise | ● ● ● ○ ○ |
| Attrition | ● ● ● ○ ○ |
| Corrosion resistance | ● ● ● ○ ○ |