

# NOVATECH

ETP075x62-Ø20 HL62

EAN 4031582318494

Wheel centre made of steel, Tread: Polyurethane, casted, precision ball bearing.

Load capacities on a smooth, even surface.



BETTER MOBILITY. BETTER LIFE.

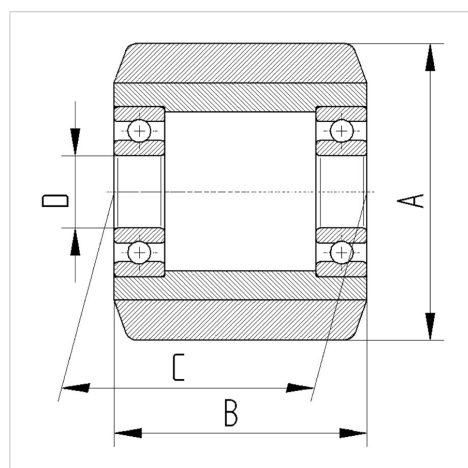


Picture may differ from original product

## Technical Data

Wheel diameter	75 mm
Wheel width	62 mm
Axle Hole-Ø	20 mm
Hub length	62 mm
Temperature	- 10 / + 60 °C
Standard	EN_12532
Weight	0.827 kg
Hardness of tread	Shore A 92
Bearing type	6204 No.
Load capacity	550 kg
Load capacity (static)	1100 kg

## Structure & Mounting



## Advantages at a glance

Roll performance	● ● ● ● ○
Movement noise	● ● ● ○ ○
Attrition	● ● ● ● ○
Corrosion resistance	● ● ● ○ ○

# NOVATECH

ETP075x62-Ø20 HL62

EAN 4031582318494



BETTER MOBILITY. BETTER LIFE.

## Structure & Mounting

---

