

# INTEGRAL TWIN

2940UAP150R05-32

EAN 4031582302516

Swivel castor, frame made of pressed steel, precision ball bearing in swivel head, housing with synthetic cover, solid plug fitting. Wheel centre made of Polyamide, Tread: Polyurethane, precision ball bearing  
Hint: TÜV Süd certified product.



BETTER MOBILITY. BETTER LIFE.

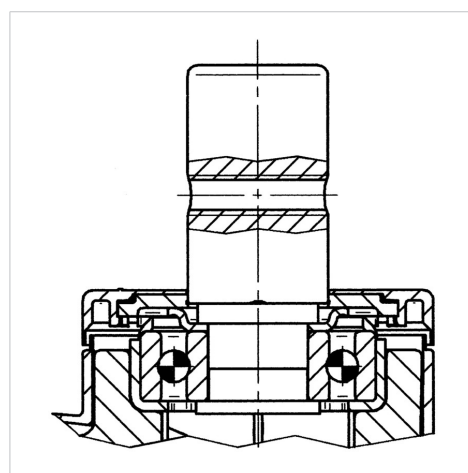


Picture may differ from original product

## Technical Data

Wheel diameter	150 mm
Wheel width	15 mm
Castor width	70 mm
Bolt-Ø	32 mm
Bolt length	45 mm
Offset	45 mm
Swivel Interference	240 mm
Overall height	175 mm
Temperature	- 30 / + 80 °C
Standard	similar_EN12531
Weight	1.545 kg
Swivel Radius	120 mm
Hardness of tread	Shore D 42
Load capacity	150 kg
Load capacity (static)	450 kg

## Structure & Mounting



## Advantages at a glance

Roll performance	● ● ● ● ●
Movement noise	● ● ● ○ ○
Attrition	● ● ● ● ○
Corrosion resistance	● ● ● ○ ○

# INTEGRAL TWIN

2940UAP150R05-32

EAN 4031582302516



BETTER MOBILITY. BETTER LIFE.

## Structure & Mounting

---

