

AGILA

2470XSP125R47-32-35

EAN 4031582341553

Swivel castor, housing made of pressed steel, bright zinc plated, blue passivated, double ball bearing swivel head, wheel axle with nut, expanding fitting (square). Wheel centre made of Polyamide, electric conductive, tread made of Polyurethane, with threadguards, precision ball bearing. Please indicate required tube innerdiameter when ordering.



BETTER MOBILITY. BETTER LIFE.



Picture may differ from original product

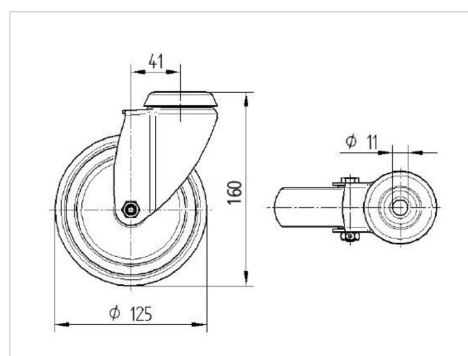
Technical Data

Wheel diameter	125 mm
Wheel width	32 mm
Expanding fitting-Ø	32 - 35 mm
Offset	41 mm
Swivel Interference	207 mm
Overall height	163 mm
Temperature	- 10 / + 40 °C
Standard	EN_12530
Swivel Radius	103.5 mm
Hardness of tread	Shore D 40
Load capacity	100 kg
Load capacity (static)	200 kg

Advantages at a glance

Roll performance	● ● ● ○ ○
Movement noise	● ● ● ○ ○
Attrition	● ● ● ○ ○
Corrosion resistance	● ● ● ○ ○

Dimensions



Structure & Mounting

