

# LEVINA

5380UAC125P51

EAN 4031582349351

Swivel castor, housing made from high grade synthetic materials with metal parts made of Stainless Steel, double ball bearing swivel head, plate fitting. Wheel centre made of polyamide, tread made of polyurethane, two INOX precision ball bearings, sealed, washable



BETTER MOBILITY. BETTER LIFE.



Picture may differ from original product

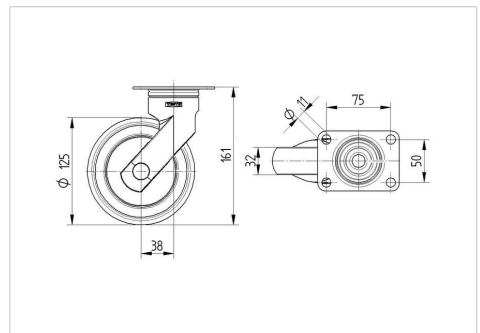
## Technical Data

Wheel diameter	125 mm
Wheel width	32 mm
Size of Plate	95 x 70 mm
Plate hole centres	75 x 50 mm
Plate hole	11 mm
Offset	38 mm
Swivel Interference	201 mm
Overall height	165 mm
Temperature	- 10 / + 40 °C
Standard	EN_12530
Weight	0.672 kg
Swivel Radius	100.5 mm
Hardness of tread	Shore A 92
Load capacity	100 kg
Load capacity (static)	200 kg

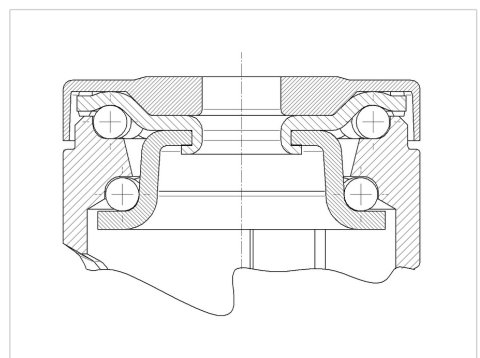
## Advantages at a glance

Roll performance	● ● ● ○ ○
Movement noise	● ● ● ● ○
Attrition	● ● ● ● ○
Corrosion resistance	● ● ● ● ●

## Dimensions



## Structure & Mounting



# LEVINA

5380UAC125P51

EAN 4031582349351



BETTER MOBILITY. BETTER LIFE.

## Structure & Mounting

