

# ALPHA

3478PVO100P62

EAN 4031582306712

Fixed castor, Fork made of pressed steel, bright zinc plated, blue passivated, wheel axle with nut, plate fitting.  
Wheel centre made of Polypropylene, Tread: solid rubber, black, plain bearing



BETTER MOBILITY. BETTER LIFE.

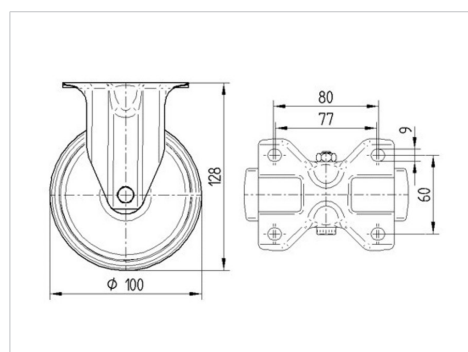


Picture may differ from original product

## Technical Data

|                        |                |
|------------------------|----------------|
| Wheel diameter         | 100 mm         |
| Wheel width            | 35 mm          |
| Castor width           | 85 mm          |
| Size of Plate          | 103 x 85 mm    |
| Plate hole centres     | 80/77 x 60 mm  |
| Plate hole             | 9 mm           |
| Overall height         | 128 mm         |
| Temperature            | - 20 / + 60 °C |
| Standard               | EN_12532       |
| Weight                 | 0.432 kg       |
| Hardness of tread      | Shore A 80     |
| Load capacity          | 75 kg          |
| Load capacity (static) | 150 kg         |

## Dimensions



## Advantages at a glance

|                      |           |
|----------------------|-----------|
| Roll performance     | ● ● ○ ○ ○ |
| Movement noise       | ● ● ● ○ ○ |
| Attrition            | ● ● ○ ○ ○ |
| Corrosion resistance | ● ● ● ○ ○ |

# ALPHA

3478PVO100P62

EAN 4031582306712



BETTER MOBILITY. BETTER LIFE.

## Structure & Mounting

