

# SMILES

5520PJI050L51-10 CAT, Yellow

EAN 4031582335606

Swivel castor, housing made of Polyamide, with blind hole fitting. Wheel centre made of Polypropylene, Tread: TENTEprene (thermoplastic rubber), grey non-marking, plain bearing



BETTER MOBILITY. BETTER LIFE.



Picture may differ from original product

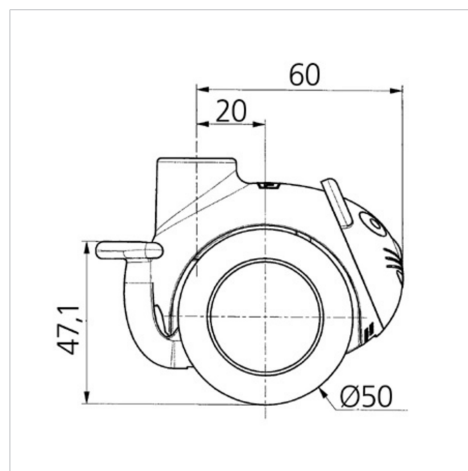
## Technical Data

|                        |                |
|------------------------|----------------|
| Wheel diameter         | 50 mm          |
| Wheel width            | 8,5 mm         |
| Castor width           | 54.3 mm        |
| Centre hole            | 10 mm          |
| Dome-Ø                 | 23 mm          |
| Offset                 | 20 mm          |
| Swivel Interference    | 120 mm         |
| Overall height         | 71.5 mm        |
| Temperature            | - 10 / + 40 °C |
| Standard               | EN_12528       |
| Weight                 | 0.101 kg       |
| Swivel Radius          | 60 mm          |
| Hardness of tread      | Shore A 87     |
| Load capacity          | 40 kg          |
| Load capacity (static) | 80 kg          |

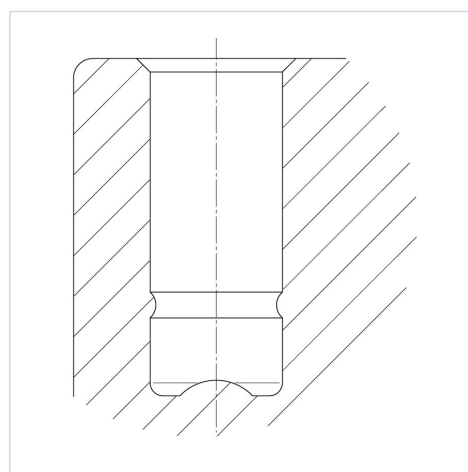
## Advantages at a glance

|                      |           |
|----------------------|-----------|
| Roll performance     | ● ● ● ○ ○ |
| Movement noise       | ● ● ● ○ ○ |
| Attrition            | ● ● ● ○ ○ |
| Corrosion resistance | ● ● ● ● ○ |

## Dimensions



## Structure & Mounting



# SMILES

5520PJI050L51-10 CAT, Yellow

EAN 4031582335606



BETTER MOBILITY. BETTER LIFE.

## Structure & Mounting

---



reddot design award  
winner