

# ELASTECH

UEP160x46-Ø12

EAN 4031582070361

Wheel centre made of Polyamide, Tread: elastic-tyre, black, precision ball bearing



BETTER MOBILITY. BETTER LIFE.

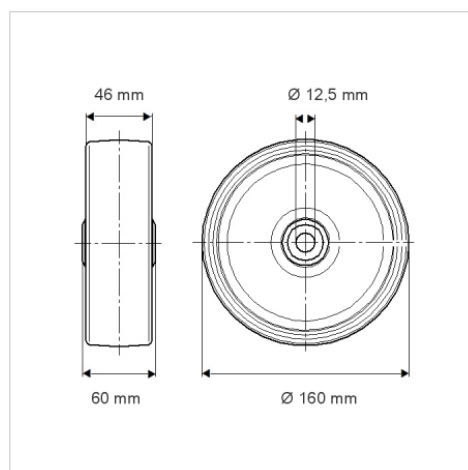


Picture may differ from original product

## Technical Data

|                        |                |
|------------------------|----------------|
| Wheel diameter         | 160 mm         |
| Wheel width            | 46 mm          |
| Axle Hole-Ø            | 12.5 mm        |
| Hub length             | 60 mm          |
| Temperature            | - 20 / + 80 °C |
| Standard               | EN_12532       |
| Weight                 | 0.929 kg       |
| Hardness of tread      | Shore A 63     |
| Load capacity          | 300 kg         |
| Load capacity (static) | 600 kg         |

## Dimensions



## Advantages at a glance

|                      |           |
|----------------------|-----------|
| Roll performance     | ● ● ● ○ ○ |
| Movement noise       | ● ● ● ● ● |
| Attrition            | ● ● ● ○ ○ |
| Corrosion resistance | ● ● ● ○ ○ |