

# ALPHA

8470PID125P62

EAN 4031582381542

Swivel castor, Housing made of Stainless Steel, double ball bearing swivel head, wheel axle with nut, plate fitting. Wheel centre made of Polypropylene, Tread: solid rubber, grey non-marking, roller bearing made of stainless steel



BETTER MOBILITY. BETTER LIFE.

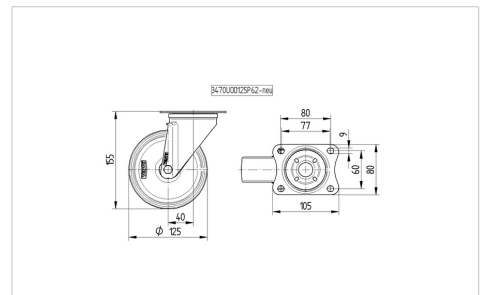


Picture may differ from original product

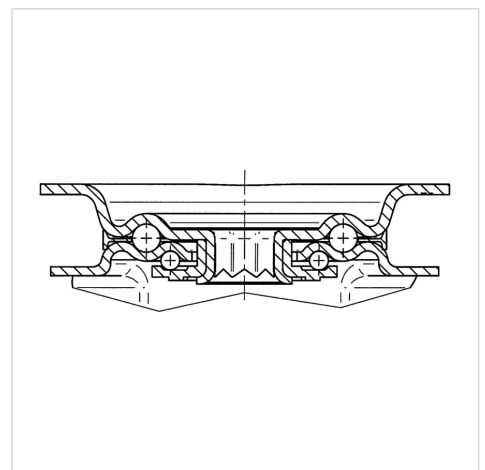
## Technical Data

Wheel diameter	125 mm
Wheel width	37 mm
Castor width	75 mm
Size of Plate	105 x 85 mm
Plate hole centres	80/77 x 60 mm
Plate hole	9 mm
Dome-Ø	75 mm
Offset	40 mm
Swivel Interference	205 mm
Overall height	155 mm
Temperature	- 20 / + 60 °C
Standard	EN_12532
Weight	1.055 kg
Swivel Radius	102.5 mm
Hardness of tread	Shore A 80
Load capacity	100 kg
Load capacity (static)	200 kg

## Dimensions



## Structure & Mounting



## Advantages at a glance

Roll performance	● ● ● ○ ○
Movement noise	● ● ● ○ ○
Attrition	● ● ● ○ ○
Corrosion resistance	● ● ● ○ ○

# ALPHA

8470PID125P62

EAN 4031582381542



BETTER MOBILITY. BETTER LIFE.

## Structure & Mounting

