

# SCOUT

## 814WUAC200P60 180° smart

EAN 4031582429930

Swivel castor, stainless steel housing with wheel brake and automatic directional stability, precision ball bearing in swivel bearing with long-life grease, swivel bearing with dust protection and grease nipple, wheel brake according to ball-pen principle, plate fitting. Swivel castor with automatic directional stability and wheel brake, plate fitting. Wheel centre made of polyamide, tread made of polyurethane, two INOX precision ball bearings, sealed, washable



BETTER MOBILITY. BETTER LIFE.



Picture may differ from original product

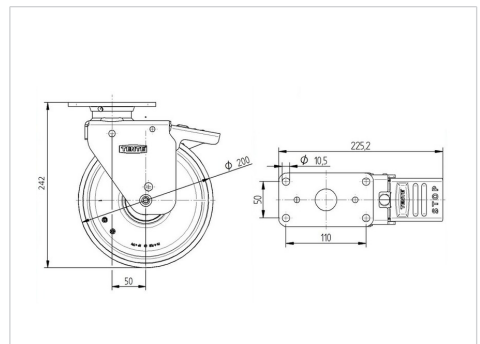
### Technical Data

Wheel diameter	200 mm
Wheel width	40 mm
Castor width	72 mm
Size of Plate	130 x 74 mm
Plate hole centres	110 x 50 mm
Plate hole	10,5 mm
Dome-Ø	66 mm
Offset	50 mm
Swivel Interference	325 mm
Overall height	242 mm
Temperature	- 40 / + 80 °C
Standard	similar_EN12532
Weight	2.872 kg
Swivel Radius	162.5 mm
Hardness of tread	Shore A 92
Load capacity	150 kg
Load capacity (static)	300 kg

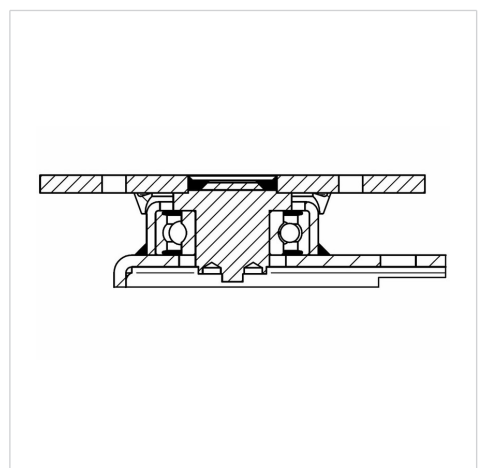
### Advantages at a glance

Roll performance	● ● ● ○ ○
Movement noise	● ● ● ○ ○
Attrition	● ● ● ● ○
Corrosion resistance	● ● ● ○ ○

### Dimensions



### Structure & Mounting



# SCOUT

814WUAC200P60 180° smart

EAN 4031582429930



BETTER MOBILITY. BETTER LIFE.

## Structure & Mounting

