

AGILA

2477PJP075P40

EAN 4031582050431

Swivel castor with total lock, tail end of castor, housing made of pressed steel, bright zinc plated, blue passivated, double ball bearing swivel head, plate fitting. Wheel centre made of Polypropylene, Tread: TENTEprene (thermoplastic rubber), grey non-marking, precision ball bearing, with threadguards



BETTER MOBILITY. BETTER LIFE.

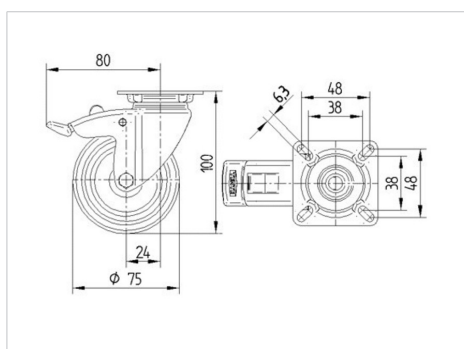


Picture may differ from original product

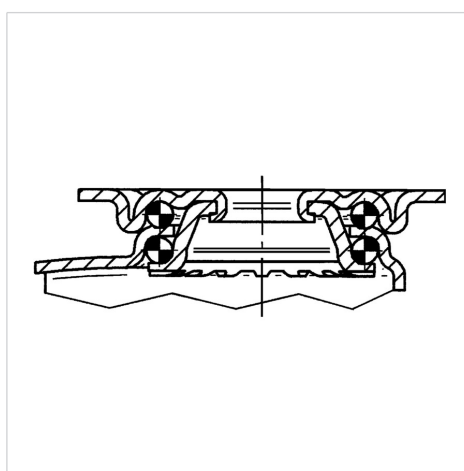
Technical Data

Wheel diameter	75 mm
Wheel width	25 mm
Castor width	43 mm
Size of Plate	60 x 60 mm
Plate hole centres	48/38 x 48/38 mm
Plate hole	6,3 mm
Dome-Ø	43 mm
Offset	24 mm
Swivel Interference	160 mm
Overall height	100 mm
Temperature	- 20 / + 60 °C
Standard	EN_12530
Weight	0.341 kg
Swivel Radius	80 mm
Hardness of tread	Shore A 87
Load capacity	75 kg
Load capacity (static)	150 kg

Dimensions



Structure & Mounting



Advantages at a glance

Roll performance	● ● ● ○ ○
Movement noise	● ● ● ○ ○
Attrition	● ● ● ○ ○
Corrosion resistance	● ● ● ○ ○

AGILA

2477PJP075P40

EAN 4031582050431



BETTER MOBILITY. BETTER LIFE.

Structure & Mounting

