

# NOVATECH

FTP150x60-Ø25 HL60

EAN 4031582329520

Wheel centre made of cast iron, Tread: Polyurethane, casted, precision ball bearing



BETTER MOBILITY. BETTER LIFE.

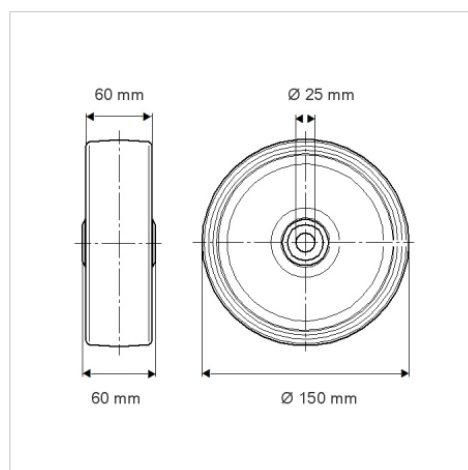


Picture may differ from original product

## Technical Data

|                        |                |
|------------------------|----------------|
| Wheel diameter         | 150 mm         |
| Wheel width            | 60 mm          |
| Axle Hole-Ø            | 25 mm          |
| Hub length             | 60 mm          |
| Temperature            | - 10 / + 60 °C |
| Standard               | EN_12533       |
| Weight                 | 3.94 kg        |
| Hardness of tread      | Shore A 92     |
| Load capacity          | 800 kg         |
| Load capacity (static) | 1600 kg        |

## Dimensions



## Advantages at a glance

|                      |           |
|----------------------|-----------|
| Roll performance     | ● ● ● ● ○ |
| Movement noise       | ● ● ● ○ ○ |
| Attrition            | ● ● ● ● ○ |
| Corrosion resistance | ● ● ● ○ ○ |

## Structure & Mounting

