

STORA

2875QMP125P30-13

EAN 4031582302455



BETTER MOBILITY. BETTER LIFE.

Walkway castor with integrated brake shoe for moving walkways, threadguards with integrated brake shoe, housing made of pressed steel, bright zinc plated, blue passivated, double ball bearing swivel head, wheel axle with nut, Wheel centre made of Polyurethane, Tread: Polyurethane, 4 tracks, selfcleaning between tracks, with threadguards, precision ball bearing, distances between tracks: approx. 4,5 mm, track width: approx. 4,0 mm.

Designed for the following palletsize: track width: approx: 2,75 mm, groove width: approx. 5,7 mm, groove depth: > 10 mm.

Hint:

Load capacity 80 kg per castor on level and securely attached floors, 40 kg per castor on walkways. Please note that according to EN1929 only castors with a minimum wheel diameter of 120 mm can be used on walkways.

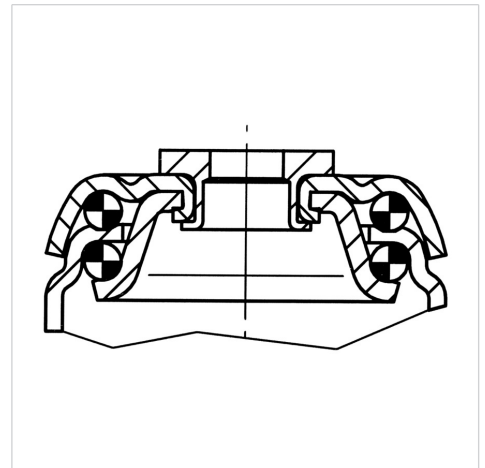


Picture may differ from original product

Technical Data

Wheel diameter	125 mm
Wheel width	32 mm
Castor width	74 mm
Centre hole	13 mm
Dome-Ø	65 mm
Offset	40 mm
Swivel Interference	205 mm
Overall height	153 mm
Temperature	- 25 / - 25 °C
Standard	EN_12530
Weight	0.731 kg
Swivel Radius	102.5 mm
Hardness of tread	Shore D 59
Load capacity	80 kg
Load capacity (static)	160 kg

Structure & Mounting



Advantages at a glance

Roll performance	● ● ● ○ ○
Movement noise	● ● ● ○ ○
Attrition	● ● ● ○ ○
Corrosion resistance	● ● ● ○ ○

STORA

2875QMP125P30-13

EAN 4031582302455



BETTER MOBILITY. BETTER LIFE.

Structure & Mounting

