

AGILA

2470DIK125R05-28

EAN 4031582300659

Swivel castor, housing made of pressed steel, bright zinc plated, blue passivated, double ball bearing swivel head, wheel axle with nut, solid plug fitting. Wheel centre made of pressed steel, Tread: solid rubber, grey non-marking, with threadguards, cone ball bearing



BETTER MOBILITY. BETTER LIFE.



Picture may differ from original product

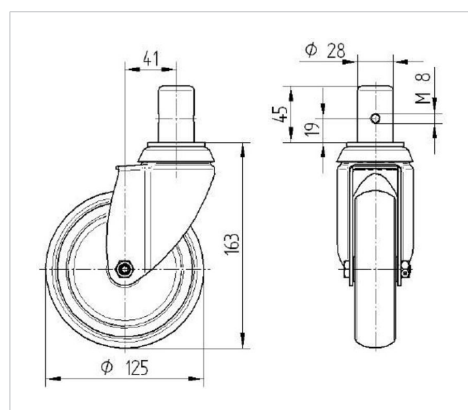
Technical Data

| | |
|------------------------|----------------|
| Wheel diameter | 125 mm |
| Wheel width | 32 mm |
| Castor width | 60 mm |
| Bolt-Ø | 28 mm |
| Bolt length | 45 mm |
| Dome-Ø | 60 mm |
| Offset | 41 mm |
| Swivel Interference | 207 mm |
| Overall height | 163 mm |
| Temperature | - 20 / + 80 °C |
| Standard | EN_12530 |
| Weight | 1.305 kg |
| Swivel Radius | 103.5 mm |
| Hardness of tread | Shore A 80 |
| Load capacity | 100 kg |
| Load capacity (static) | 200 kg |

Advantages at a glance

| | |
|----------------------|-----------|
| Roll performance | ● ● ● ○ ○ |
| Movement noise | ● ● ● ○ ○ |
| Attrition | ● ● ● ○ ○ |
| Corrosion resistance | ● ● ● ○ ○ |

Dimensions



Structure & Mounting

