

MAXTECH

XSP200x32-Ø8

EAN 4031582323689

Wheel centre made of Polyamide, electric conductive, tread made of Polyurethane, with threadguards, precision ball bearing



BETTER MOBILITY. BETTER LIFE.

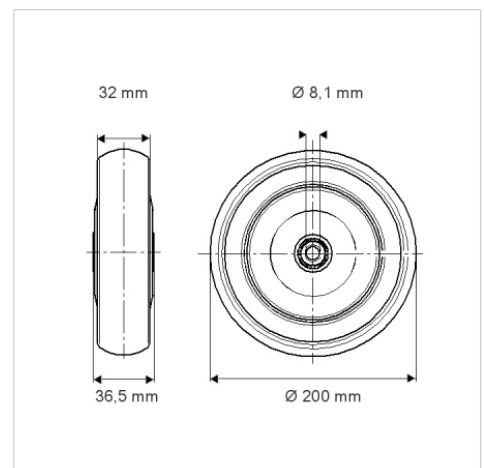


Picture may differ from original product

Technical Data

| | |
|------------------------|----------------|
| Wheel diameter | 200 mm |
| Wheel width | 32 mm |
| Axle Hole-Ø | 8.1 mm |
| Hub length | 36.5 mm |
| Temperature | - 25 / + 80 °C |
| Standard | EN_12530 |
| Weight | 0.789 kg |
| Hardness of tread | Shore D 46 |
| Load capacity | 160 kg |
| Load capacity (static) | 320 kg |

Dimensions



Advantages at a glance

| | |
|----------------------|-----------|
| Roll performance | ● ● ● ○ ○ |
| Movement noise | ● ● ● ○ ○ |
| Attrition | ● ● ● ○ ○ |
| Corrosion resistance | ● ● ● ○ ○ |