

# SMILES

5525PJI050L51-8 chrome

EAN 4031582335729

Swivel castor with wheel brake, housing made of Polyamide, with blind hole fitting. Wheel centre made of Polypropylene, Tread: TENTEprene (thermoplastic rubber), grey non-marking, plain bearing



BETTER MOBILITY. BETTER LIFE.

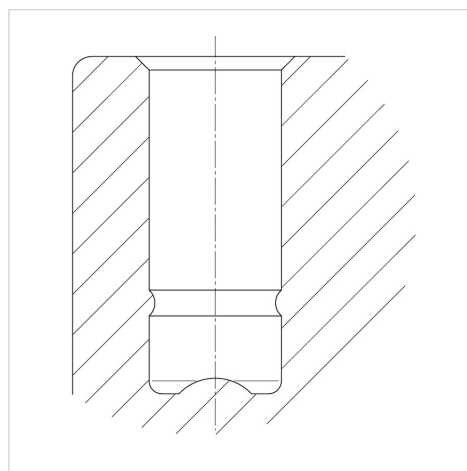


Picture may differ from original product

## Technical Data

Wheel diameter	50 mm
Wheel width	10 mm
Castor width	54 mm
Centre hole	8 mm
Offset	20 mm
Swivel Interference	124 mm
Overall height	56 mm
Temperature	- 20 / + 60 °C
Standard	EN_12528
Weight	0.071 kg
Swivel Radius	62 mm
Hardness of tread	Shore A 87
Load capacity	40 kg
Load capacity (static)	80 kg

## Structure & Mounting



## Advantages at a glance

Roll performance	● ● ● ○ ○
Movement noise	● ● ● ○ ○
Attrition	● ● ● ○ ○
Corrosion resistance	● ● ● ● ○