

DELTA

3648IEP125P63

EAN 4031582337174

Fixed castor, Fork made of heavy pressed steel, bright zinc plated, blue passivated, wheel axle with nut, plate fitting.

Wheel centre made of Aluminium, Tread: black elastic-tyre, vulcanized, precision ball bearing



BETTER MOBILITY. BETTER LIFE.

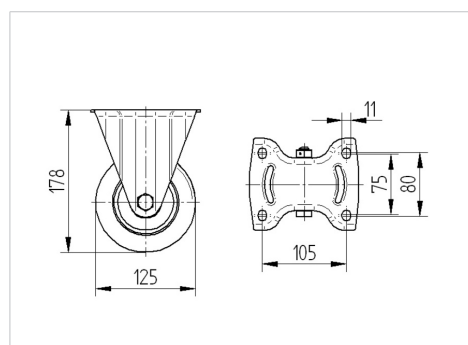


Picture may differ from original product

Technical Data

Wheel diameter	125 mm
Wheel width	50 mm
Castor width	115 mm
Size of Plate	137 x 115,0 mm
Plate hole centres	105 x 80/75 mm
Plate hole	11 mm
Dome-Ø	115 mm
Overall height	178 mm
Temperature	- 20 / + 85 °C
Standard	EN_12532
Weight	1.83 kg
Hardness of tread	Shore A 68
Load capacity	300 kg
Load capacity (static)	600 kg

Dimensions



Advantages at a glance

Roll performance	● ● ● ○ ○
Movement noise	● ● ● ○ ○
Attrition	● ● ● ○ ○
Corrosion resistance	● ● ● ○ ○

DELTA

3648IEP125P63

EAN 4031582337174



BETTER MOBILITY. BETTER LIFE.

Structure & Mounting

