

KAPPA

9680FTP250P63

EAN 4031582315066

Swivel castor, housing and plate steel-welded, bright zinc plated, blue passivated, sealed single swivel double ball bearing, threaded king pin and locking nut secured, grease nipple, wheel axle with nut, plate fitting. Wheel centre made of cast iron, Tread: Polyurethane, casted, precision ball bearing



BETTER MOBILITY. BETTER LIFE.



Picture may differ from original product

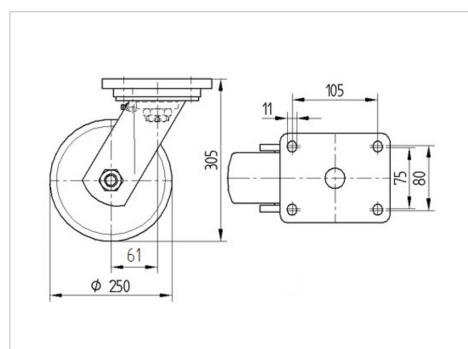
Technical Data

| | |
|------------------------|----------------|
| Wheel diameter | 250 mm |
| Wheel width | 50 mm |
| Castor width | 110 mm |
| Size of Plate | 135 x 110 mm |
| Plate hole centres | 105 x 80/75 mm |
| Plate hole | 11 mm |
| Dome-Ø | 111 mm |
| Offset | 61 mm |
| Swivel Interference | 375 mm |
| Overall height | 305 mm |
| Temperature | - 10 / + 60 °C |
| Standard | EN_12533 |
| Weight | 9.922 kg |
| Swivel Radius | 187.5 mm |
| Hardness of tread | Shore A 92 |
| Load capacity | 1000 kg |
| Load capacity (static) | 2000 kg |

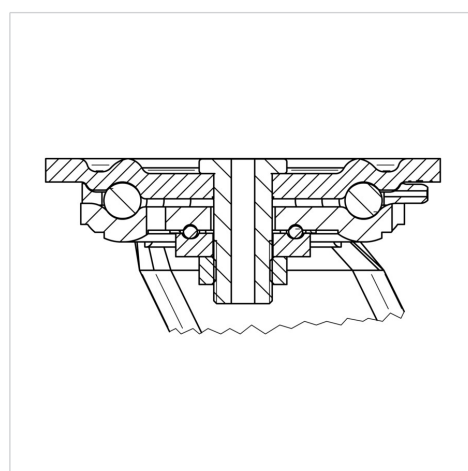
Advantages at a glance

| | |
|----------------------|-----------|
| Roll performance | ● ● ● ● ○ |
| Movement noise | ● ● ● ○ ○ |
| Attrition | ● ● ● ● ○ |
| Corrosion resistance | ● ● ● ○ ○ |

Dimensions



Structure & Mounting



KAPPA

9680FTP250P63

EAN 4031582315066



BETTER MOBILITY. BETTER LIFE.

Structure & Mounting

