

ELASTECH

UER100x34-Ø12

EAN 4031582323290

Wheel centre made of Polyamide, Tread: elastic-tyre, black, roller bearing



BETTER MOBILITY. BETTER LIFE.

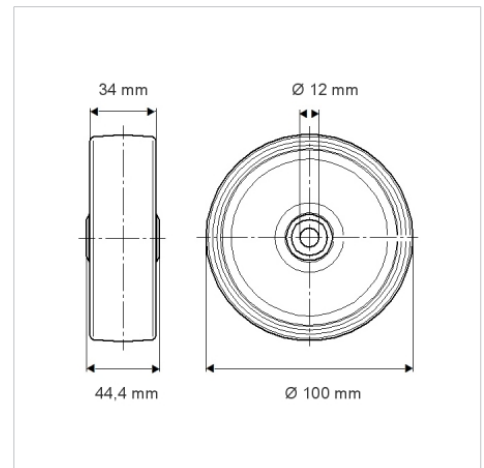


Picture may differ from original product

Technical Data

Wheel diameter	100 mm
Wheel width	34 mm
Axle Hole-Ø	12 mm
Hub length	44.4 mm
Temperature	- 20 / + 80 °C
Standard	EN_12532
Weight	0.245 kg
Hardness of tread	Shore A 63
Load capacity	160 kg
Load capacity (static)	320 kg

Dimensions



Advantages at a glance

Roll performance	● ● ● ○ ○
Movement noise	● ● ● ● ●
Attrition	● ● ● ○ ○
Corrosion resistance	● ● ● ○ ○