

# E-DRIVE FLEX

EDMZ212 10Ah

EAN 4031582439069

Power supplyAccessory



BETTER MOBILITY. BETTER LIFE.

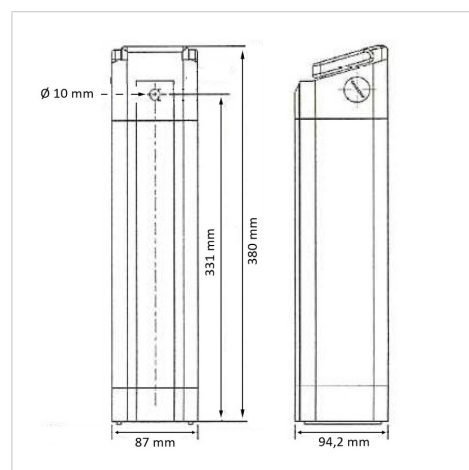


Picture may differ from original product

## Technical Data

Nominal capacity	10 Ah
Battery type	Lithium-ion battery
Output voltage	24 V DC
Built-in fuse	15 A
Connecting plug	PLUG & PLAY in combination with our battery cable
Weight	2,4 kg
Dimensions	see drawing
Assembly	Individual fitting through integrated guide rail, optionally battery holder
Permissible operating temperature	charging: 0 to 45° C / discharging: -20 to 60° C
Permitted storage temperatures	- 20 to 45° C

## Dimensions



## Advantages at a glance

Roll performance	○ ○ ○ ○ ○
Movement noise	○ ○ ○ ○ ○
Attrition	○ ○ ○ ○ ○
Corrosion resistance	○ ○ ○ ○ ○