

# ALPHA

3478UVH080P62

EAN 4031582307122

Fixed castor, Fork made of pressed steel, bright zinc plated, blue passivated, wheel axle with nut, plate fitting.  
Wheel centre made of Polyamide, Tread: solid rubber, black, plain bearing, with threadguards,



BETTER MOBILITY. BETTER LIFE.

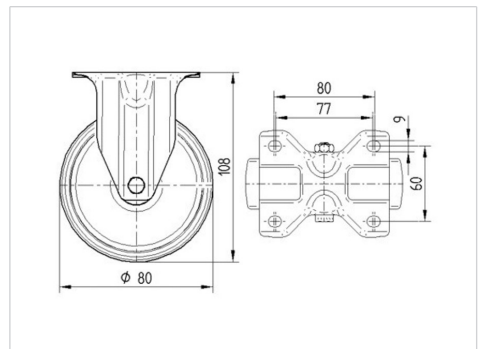


Picture may differ from original product

## Technical Data

Wheel diameter	80 mm
Wheel width	35 mm
Castor width	85 mm
Size of Plate	103 x 85 mm
Plate hole centres	80/77 x 60 mm
Plate hole	9 mm
Overall height	108 mm
Temperature	- 20 / + 80 °C
Standard	EN_12532
Weight	0.494 kg
Hardness of tread	Shore D 39
Load capacity	100 kg
Load capacity (static)	200 kg

## Dimensions



## Advantages at a glance

Roll performance	● ● ● ○ ○
Movement noise	● ● ● ○ ○
Attrition	● ● ○ ○ ○
Corrosion resistance	● ● ● ○ ○

# ALPHA

3478UVH080P62

EAN 4031582307122



BETTER MOBILITY. BETTER LIFE.

## Structure & Mounting

