

LEVINA LIGHT

5220PJP100S70-10X25/11X29.1

EAN 4031582492330

Swivel castor, Housing made of glass-filled Polyamide, threaded stem with hexagon neck. Wheel centre made of Polypropylene, Tread: TENTEprene (thermoplastic rubber), grey non-marking, precision ball bearing



BETTER MOBILITY. BETTER LIFE.

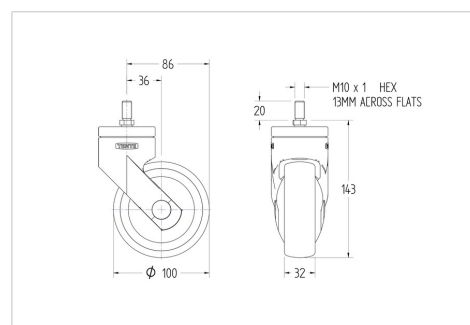


Picture may differ from original product

Technical Data

| | |
|------------------------|----------------|
| Wheel diameter | 100 mm |
| Wheel width | 32 mm |
| Threaded stem | 10X25 mm |
| Offset | 36 mm |
| Swivel Interference | 172 mm |
| Overall height | 146.3 mm |
| Temperature | - 10 / + 40 °C |
| Standard | EN_12530 |
| Swivel Radius | 86 mm |
| Hardness of tread | Shore A 87 |
| Load capacity | 82 kg |
| Load capacity (static) | 0 kg |

Dimensions



Advantages at a glance

| | |
|----------------------|-----------|
| Roll performance | ● ● ● ○ ○ |
| Movement noise | ● ● ● ● ○ |
| Attrition | ● ● ● ○ ○ |
| Corrosion resistance | ● ● ● ● ○ |