

GALEA

5071PJH100R05-28x40

EAN 4031582368468

Swivel castor with directional lock, housing made of Polyamide, double ball bearing swivel head, solid plug fitting. Wheel centre made of Polypropylene, Tread: TENTEprene (thermoplastic rubber), grey non-marking, with threadguards, plain bearing
Hint: These castors are also with grey locking lever available.



BETTER MOBILITY. BETTER LIFE.



Picture may differ from original product

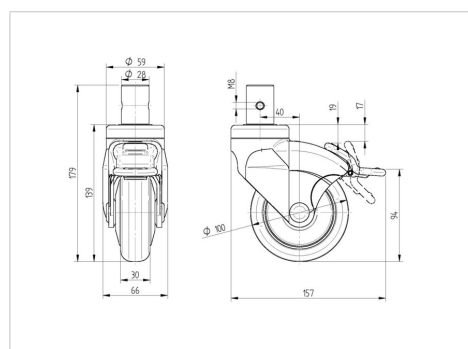
Technical Data

| | |
|------------------------|--------------|
| Wheel diameter | 100 mm |
| Wheel width | 30 mm |
| Bolt-Ø | 28 mm |
| Bolt length | 40 mm |
| Offset | 40 mm |
| Swivel Interference | 205 mm |
| Overall height | 139 mm |
| Temperature | -20 / +60 °C |
| Standard | EN_12530 |
| Hardness of tread | Shore A 87 |
| Load capacity | 100 kg |
| Load capacity (static) | 200 kg |

Advantages at a glance

| | |
|----------------------|-----------|
| Roll performance | ● ● ● ○ ○ |
| Movement noise | ● ● ● ○ ○ |
| Attrition | ● ● ● ○ ○ |
| Corrosion resistance | ● ● ● ● ○ |

Dimensions



Structure & Mounting

