

INTEGRAL TWIN

2946UAP150R36-32S30 4xM6

EAN 4031582302639

Swivel castor with central total lock, frame made of pressed steel, precision ball bearing in swivel head, housing with synthetic cover, stem with cam hole for profile bars, short version. Wheel centre made of Polyamide, Tread: Polyurethane, precision ball bearing
Hint: TÜV Süd certified product.



BETTER MOBILITY. BETTER LIFE.

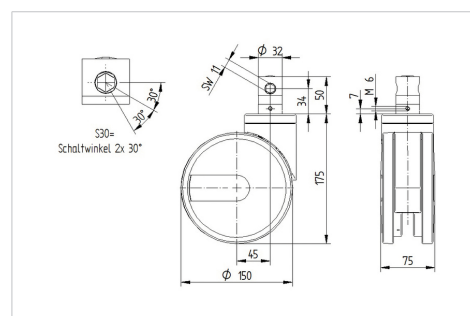


Picture may differ from original product

Technical Data

| | |
|------------------------|----------------|
| Wheel diameter | 150 mm |
| Wheel width | 15 mm |
| Castor width | 75 mm |
| Bolt-Ø | 32 mm |
| Bolt length | 51 mm |
| Dome-Ø | 70 mm |
| Offset | 45 mm |
| Swivel Interference | 248 mm |
| Overall height | 175 mm |
| Temperature | - 25 / + 80 °C |
| Standard | EN_12531 |
| Weight | 1.421 kg |
| Swivel Radius | 124 mm |
| Hardness of tread | Shore D 42 |
| Load capacity | 150 kg |
| Load capacity (static) | 450 kg |

Dimensions



Advantages at a glance

| | |
|----------------------|-----------|
| Roll performance | ● ● ● ● ● |
| Movement noise | ● ● ● ○ ○ |
| Attrition | ● ● ● ● ○ |
| Corrosion resistance | ● ● ● ○ ○ |

INTEGRAL TWIN

2946UAP150R36-32S30 4xM6

EAN 4031582302639



BETTER MOBILITY. BETTER LIFE.

Structure & Mounting

