

BASETECH

POO3.5x1.25-Ø0.5 HL 40

EAN 4031582436099

Wheel centre made of Polypropylene, plain bearing



BETTER MOBILITY. BETTER LIFE.

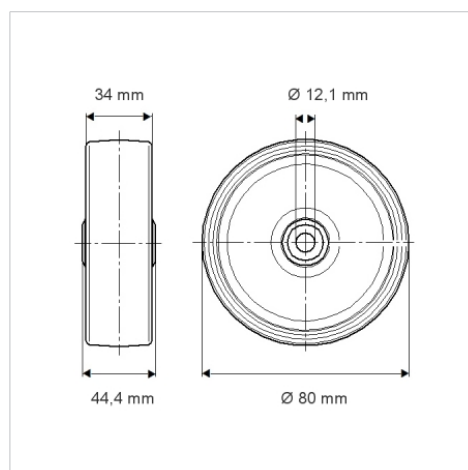


Picture may differ from original product

Technical Data

Wheel diameter	88.9 mm
Wheel width	31.75 mm
Axle Hole-Ø	12.1 mm
Hub length	40 mm
Standard	ICWM
Hardness of tread	Shore D 66
Load capacity	125 kg
Load capacity (static)	250 kg

Dimensions



Advantages at a glance

Roll performance	● ● ● ○ ○
Movement noise	● ● ● ○ ○
Attrition	● ● ● ● ●
Corrosion resistance	● ● ● ○ ○