

GALEA

5070PJH125 P50

EAN 4031582444049

Swivel castor, housing made of Polyamide, double ball bearing swivel head Wheel centre made of Polypropylene, Tread: TENTEprene (thermoplastic rubber), grey non-marking, with threadguards, plain bearing



BETTER MOBILITY. BETTER LIFE.



Picture may differ from original product

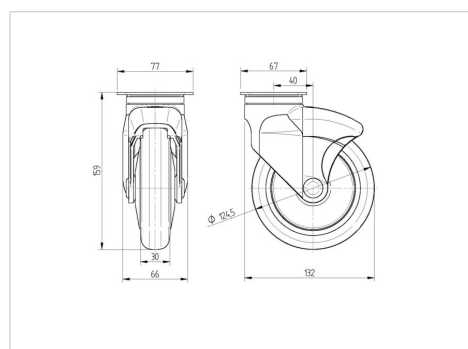
Technical Data

Wheel diameter	125 mm
Wheel width	30 mm
Castor width	66 mm
Size of Plate	77 x 67 mm
Plate hole centres	61,5/56 x 51,5/46,5 mm
Plate hole	8,5 mm
Dome-Ø	59 mm
Offset	40 mm
Swivel Interference	205 mm
Overall height	159 mm
Temperature	-20 / +60 °C
Standard	EN_12530
Weight	0.535 kg
Swivel Radius	102.5 mm
Hardness of tread	Shore A 87
Load capacity	100 kg
Load capacity (static)	200 kg

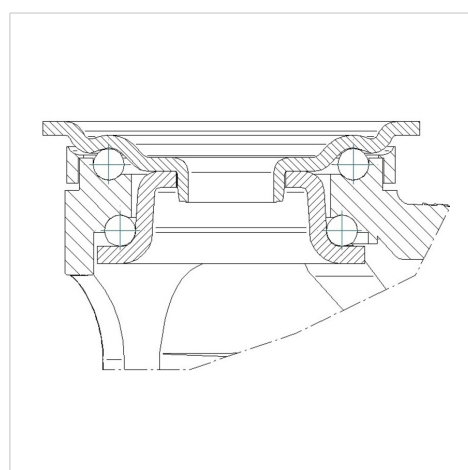
Advantages at a glance

Roll performance	● ● ● ○ ○
Movement noise	● ● ● ○ ○
Attrition	● ● ● ● ○
Corrosion resistance	● ● ● ○ ○

Dimensions



Structure & Mounting



GALEA

5070PJH125 P50

EAN 4031582444049



BETTER MOBILITY. BETTER LIFE.

Structure & Mounting

