

NOVATECH

ITP100x40-Ø12 HL26 flat

EAN 4031582487916

Wheel centre made of Aluminium, Tread: Polyurethane, casted, precision ball bearing



BETTER MOBILITY. BETTER LIFE.

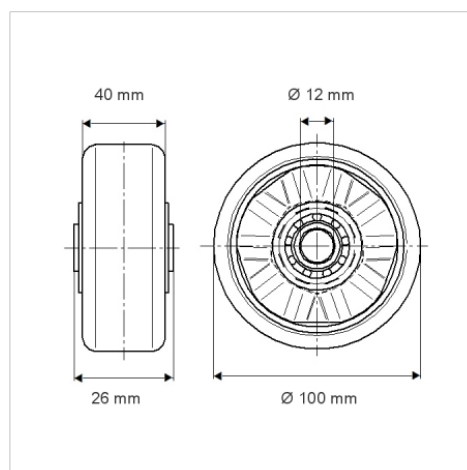


Picture may differ from original product

Technical Data

Wheel diameter	100 mm
Wheel width	40 mm
Axle Hole-Ø	12 mm
Hub length	26 mm
Temperature	- 20 / + 60 °C
Standard	EN_12532
Weight	0.334 kg
Hardness of tread	Shore A 92
Load capacity	300 kg
Load capacity (static)	600 kg

Dimensions



Advantages at a glance

Roll performance	● ● ● ○ ○
Movement noise	● ● ● ○ ○
Attrition	● ● ● ● ○
Corrosion resistance	● ● ● ○ ○

Structure & Mounting

