

LEVINA LIGHT

5225PJP100S70-3/8-16x1

EAN 4031582492804

Swivel castor with wheel brake, Housing made of glass-filled Polyamide, threaded stem with hexagon neck. Wheel centre made of Polypropylene, Tread: TENTEprene (thermoplastic rubber), grey non-marking, precision ball bearing



BETTER MOBILITY. BETTER LIFE.

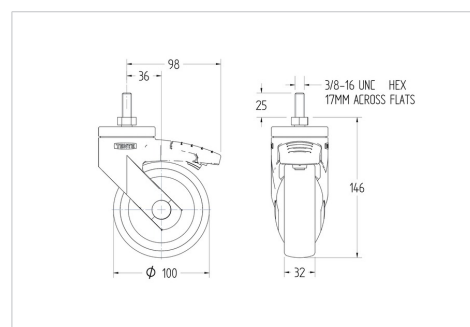


Picture may differ from original product

Technical Data

Wheel diameter	100 mm
Wheel width	32 mm
Threaded stem	3/8-16X1 mm
Dome-Ø	59 mm
Offset	36 mm
Swivel Interference	196 mm
Overall height	146.3 mm
Temperature	- 10 / + 40 °C
Standard	EN_12530
Weight	0.422 kg
Swivel Radius	98 mm
Hardness of tread	Shore A 87
Fitting-Hole-Ø	0 mm
Load capacity	82 kg
Suitable wheel sizes	0 mm

Dimensions



Advantages at a glance

Roll performance	● ● ● ○ ○
Movement noise	● ● ● ● ○
Attrition	● ● ● ○ ○
Corrosion resistance	● ● ● ● ○